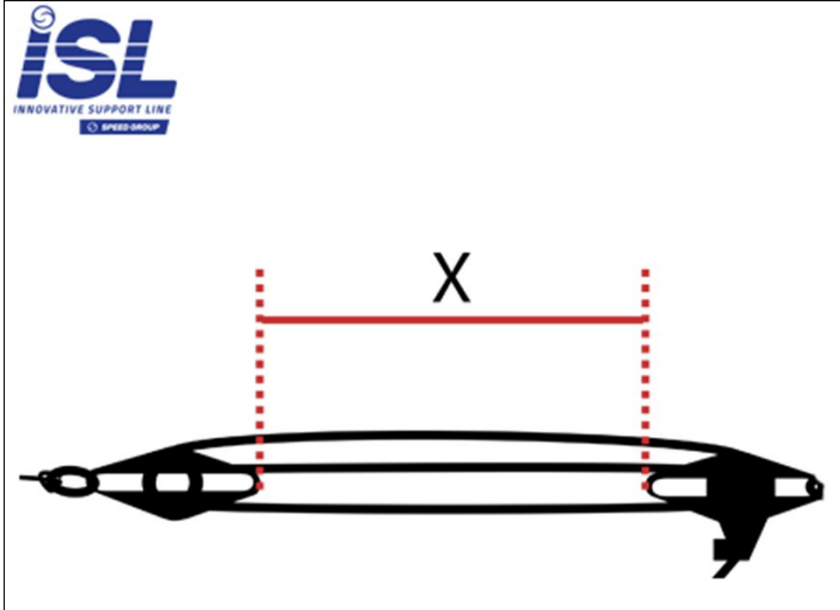


# Under tension

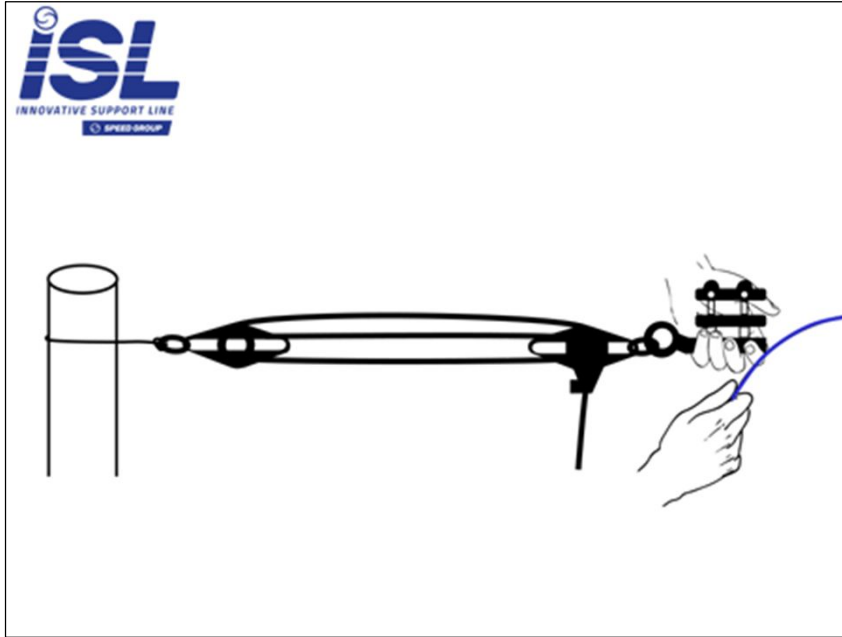


## Step 1/5

You must adjust your tensioner with the right length:

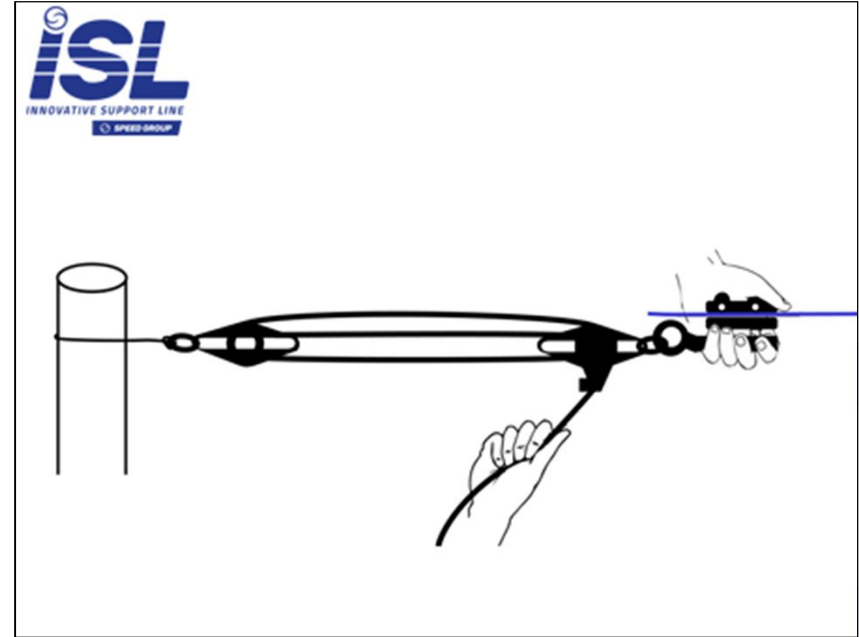
- Polyamide: 3% of the total length installed  
➔ Example for a 100 meters row : 3 meters
- Polyester: 1% of the total length installed  
➔ Example for a 100 meters row : 1 meter.

# Under tension



## Step 2/5

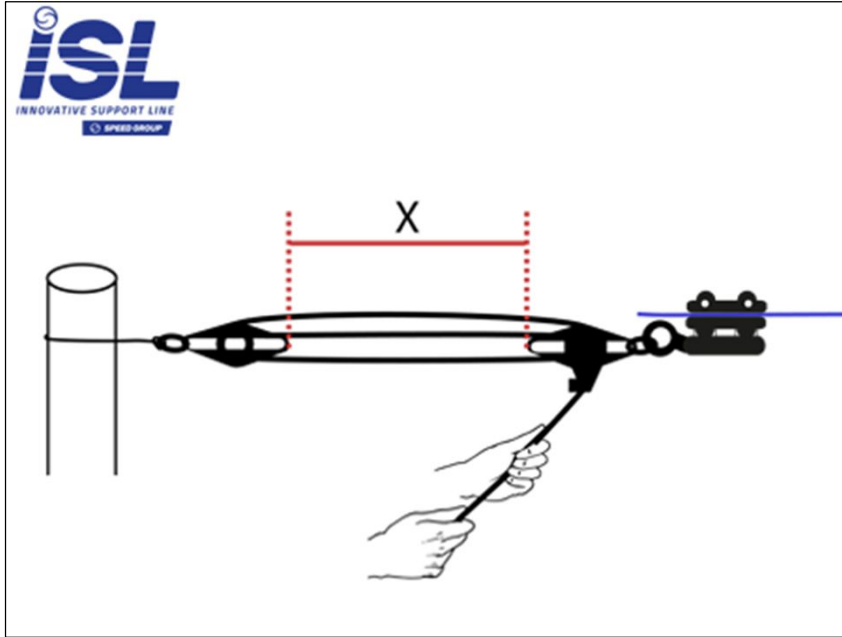
To tension the line, keep the line in one hand and, insert it inside the tensioner.



## Step 3/5

Fix the clip (cable puller) onto the line, and you can start to tension the line.

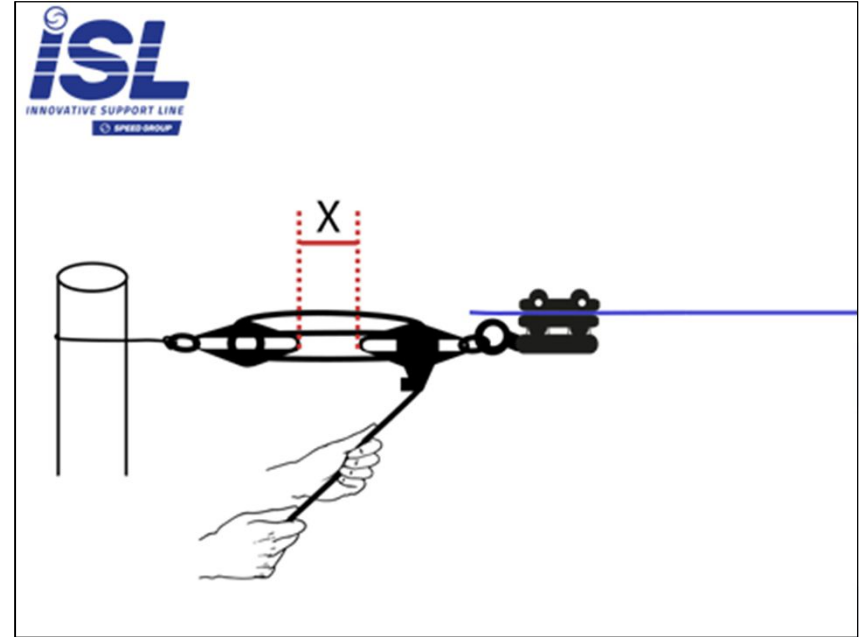
# Under tension



## Step 4/5

You must respect the required tension:

- Polyamide: 3% of the total length installed (for exemple 3m for 100m row)
- Polyester: 1% of the total length installed (for exemple 1m for 100m row).



## Step 5/5

Once you tensioned ISL, you can start to make the endpost knot.